



EZ-ZONE® ST to Serial Gear Converter Model USB-COMi-M

Screw terminal connector pin-out:

- 1 is Data -(A), connects to pin CD or CA
- 2 is Data +(B), connects to pin CE or CB
- 6 is GND, connects to pin CF or CC

DB9 connector, EIA485 half duplex pin-out:

- 1 is Data -(A), connects to pin CD or CA
- 2 is Data +(B), connects to pin CE or CB
- 5 is GND, connects to pin CF or CC

DB9 connector, EIA232 pin-out:

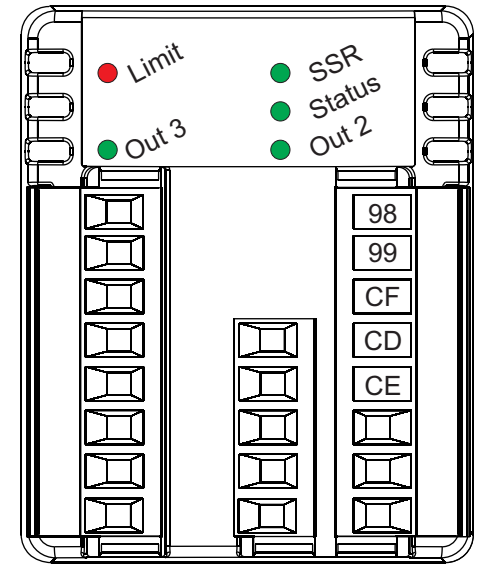
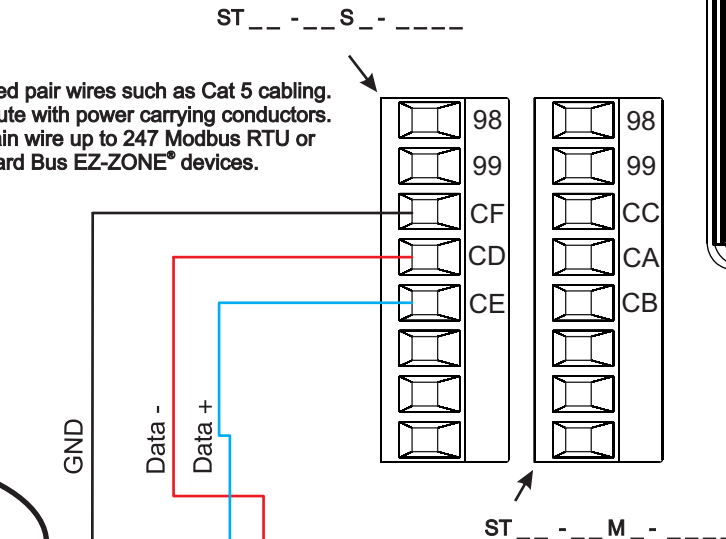
- 1 is DCD
- 2 is RXD
- 3 is TXD
- 4 is DTR
- 5 is Gnd
- 6 is DSR
- 7 is RTS
- 8 is CTS
- 9 is RI

Watlow
1241 Bundy Blvd
Winona, MN 55987
Telephone (507) 494-5656
2010 Watlow Electric Manufacturing Company



<http://serialgear.com/1-Port-Serial-USB-USB-COMi-M.html>

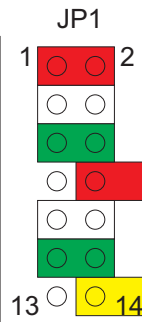
Use twisted pair wires such as Cat 5 cabling.
Do not route with power carrying conductors.
Daisy chain wire up to 247 Modbus RTU or
16 Standard Bus EZ-ZONE® devices.



If first device on 485 network, set jumpers as shown

1 - 2	Tx termination 120 ohm
3 - 4	Tx pull-up 750 ohm
5 - 6	Tx pull-down 750 ohm
7 - 8	Rx termination 120 (422)
9 - 10	Rx pull-up 750 ohm
11 - 12	Rx pull-down 750 ohm
13 - 14	CTS termination 120 (422)

Internal Jumpers



Mode	1	2	3	4
485	ON	OFF	OFF	OFF
232	OFF	ON	ON	ON