

IPAQ C330

Universal PC-Programmable 2-wire transmitter



IPAQ C330 is a universal, isolated, temperature transmitter with additional voltage and resistance input. Its robust design and high quality gives excellent performance and accuracy also under harsh conditions.

IPAQ C330 supports communication via NFC® (Near-field communication) and Bluetooth® which makes it possible to configure and monitor the transmitter remotely.

- High accuracy and long term stability
- 50-point Customized Linearization and Callendar-Van Dusen
- Accepts RTD, T/C, mV and Ω
- Sensor error and system (sensor/transmitter) error correction for highest total accuracy
- Low temperature drift
- Configuration via USB or NFC without external power
- Runtime counter - hour counter for elapsed operational time
- Rugged design tested for 10 g vibrations
- High security - Password protection and date of changes logged

Specifications:

Input RTD		2-, 3-, 4-wire connection
Pt100 ($\alpha = 0.00385$)		-200 to +850 °C / -328 to +1562 °F
PtX $10 \leq X \leq 1000$ ($\alpha = 0.00385$)		Upper range depending on X-value
Pt100 ($\alpha = 0.003916$)		-200 to +850 °C / -328 to +1562 °F
Ni100 ¹⁾ , Ni120 ²⁾		-60 to +250 °C / -76 to +482 °F
Ni1000 ¹⁾		-50 to +180 °C / -58 to +356 °F
Cu10 ³⁾		-50 to +200 °C / -58 to +392 °F
Input Resistance / potentiometer		0 to 10000 Ω / 100 to 10000 Ω
Input Thermocouples		Types B, C, D, E, J, K, N, R, S, T
Input mV		-10 to +1000 mV
Sensor failure		Upscale (≥ 21.0 mA) or downscale (≤ 3.6 mA) action
Adjustments - Zero		Any value within range limits
Adjustments - Minimum spans		
Pt100, Pt1000, Ni100, Ni1000		10 °C / 18 °F
Potentiometer		10 Ω
T/C, mV		2 mV
Output		4-20 / 20-4 mA, temperature linear
Operating temperature		-40 to +85 °C / -40 to +185 °F
Galvanic isolation		1500 VAC, 1 min
Power supply	IPAQ C330	8.0...36.0 VDC
	IPAQ C330X	8.0...30.0 VDC
Intrinsic safety		
IPAQ C330X ATEX:		II 1 G Ex ia IIC T6...T4 Ga ⁴⁾
IPAQ C330X IECEx:		Ex ia IIC T6...T4 Ga ⁴⁾
IPAQ C330X cFMus:		IS CL I Div 1 GP A-D, T6...T4 CL I Zn 0 AEx/Ex ia IIC T6...T4 Ga ⁴⁾
Typical accuracy		$\pm 0.08\%$ or $\pm 0.08\%$ of span
Connection head		DIN B or larger

¹⁾ DIN 43760, ²⁾ Edison No.7, ³⁾ Edison No.15 ⁴⁾ For Tambient, see the manual

www.zesta.com

Ontario (Head Office)
212 Watline Ave
Mississauga ON, L4Z 1P4
T: (905) 568-3100

Québec T: (514) 334-4744

Alberta T: (403) 291-1156

British Columbia T: (604) 525-7071

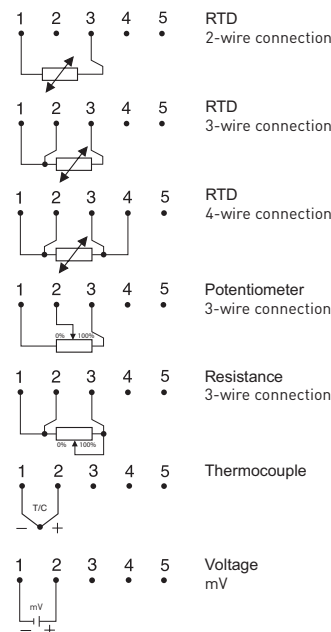
IPAQ-C530-1024

© 2024 Zesta Engineering Limited

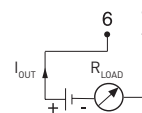
info@zesta.com
1-800-755-5418

Input connections

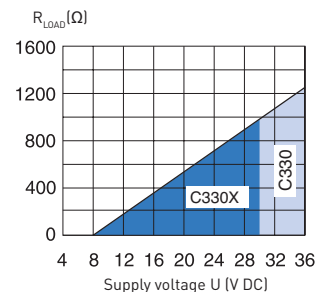
See data sheet for more alternatives



Output connections

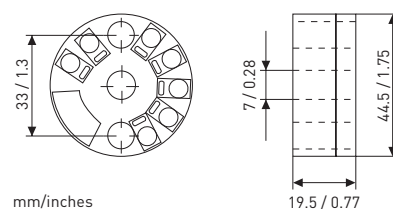


Output load diagram



$$R_{LOAD} = (U - 8) / 0.022$$

Dimensions



Ordering information

IPAQ C330	70C3300012
IPAQ C330X [ATEX / IECEx]	70C330X012
IPAQ C330X [cFMus]	70C330F012
PC configuration kit (USB-conn.)	70CFGUSX01
ICON-BT Bluetooth kit	70CFGBT001
Head mounting kit	70ADA00017
Rail mounting kit	70ADA00015

ZESTA
Industrial Thermal Technologies